

UNIVERSAL

Infrared Night  *Technology*

UNI 100 VERY LONG RANGE INFRARED ILLUMINATOR



IDEAL FOR WIDE ANGLE AND LONG RANGE CCTV

- 500+ meter night vision at absolute darkness.
- Car Plate reading up-to 70m
- **IP 68**, Highest protection against dust and water
- **IK10** Highest impact resistance
- UV resistant cable and accessories
- Stainless metal accessories
- 850 nm and 940 nm wave length options
- 220V AC, 48V DC, 24V DC versions
- Automatic day/night operation by photocell switch
- Power Led technology
- 20+ years projected lifetime
- Quality Certificates from independent organisations.

TECHNICAL FEATURES

Index of protection	: IP 68 (highest protection)
Impact resistance	: IK10 (highest degree)
Operating temperature	: + 50° C, - 50° C
Power consumption	: 30 W
Operating Voltage	: 220V AC, 48V DC, 24V DC,
Cable	: 2-4x0,5 mm ² UV resistant, flame retardant, 1,5 m
Body material	: Massive and Pure Aliminum
Surface	: Anodized
Color	: Black
Glass	: UV and impact resistant
Bolts, nuts, washers	: Stainless Steel
Dimensions	: 150 mm dia., 70 mm depth (bracket excluded)
Weight	: 1.9 kg
Projected lifetime	: 15 years

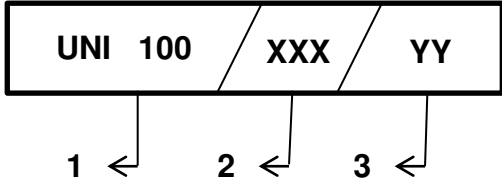


- Photocell switch & led driver box, IP66, 19x15x8cm
- Pole mounting plate

UNIVERSAL

Infrared Night Technology

CODING

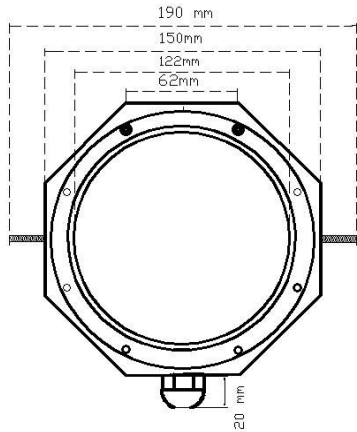


1. Model UNI 100
 2. Wave length 850 nm, 940 nm
 3. Radiation angle: 20°, 45°, 70°, 90°, 120°
- Example: UNI 100-850-20

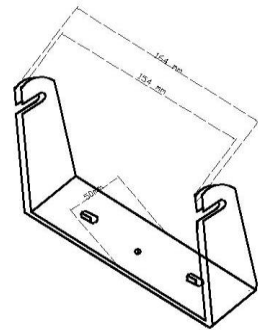
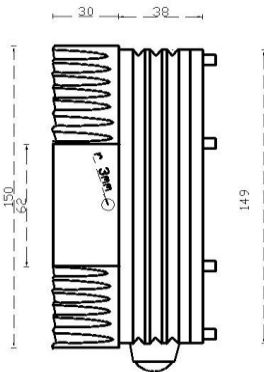
Night Vision Ranges

850 nm		940 nm	
20°	500 m+	20°	250 m
45°	250 m	45°	125 m
70°	180 m	70°	90 m
120°	100 m	120°	50 m

Above ranges have been obtained by 0.01 lux D/N box camera and zoom lens combination



DIMENSIONS



Compliance to EUROPEAN NORMS have been approved by independent organisations.

