

UNIVERSAL

Infrared Night Technology

EXTREME LONG RANGE UNI 200 INFRARED ILLUMINATOR

IDEAL FOR EXTREME LONG RANGE NIGHT VISION, DRIVER IDENTIFICATION AND VERY SPECIAL MILITARY APPLICATIONS.



- 1000+m night vision at absolute darkness
- **IP 68, Highest degree against dust and water**
- **IK10+** Highest degree at impact resistance
- **UV resistant**
- Special design body, made of **massive and pure aluminum**
- Horizontal and vertical positioning accessories
- 850 nm ve 940 nm wavelength options
- Power 60W (Option 40W)
- 220V AC or 48V DC versions
- Automatic day/night switching by photocell
- 20+ years forseen life span
- **5 (five) years warranty for fixed installations**
- Quality certificates from independent bodies
- **OPTION 1:Compliance to MIL-STD-461F**
- **OPTION 2:Day/Night synchronization with camera**

TEKNİK ÖZELLİKLER

Index of protection	: IP 68 (highest degree against dust and water)
Impact resistance	: K10+ (highest degree)
Ambiient temprature	: + 50° C, - 50° C
Power	: 60 W
Voltage	: 220 VAC or 48VDC
Body material	: Massive and pure Aluminum
Surface coating	: Black Anodized
Cable	: UV resistant, flame retardant ,3m,
Dimension(bracket excl.)	: 200mm dia, 70mm
Weight	: 3,5 kg
Life span	: 20+ year



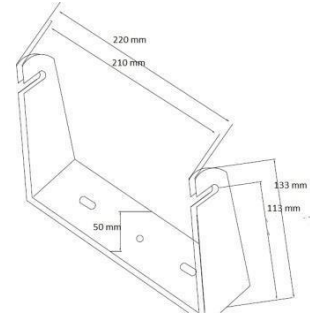
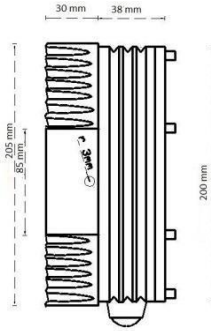
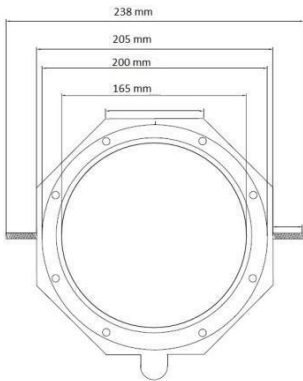
“Photocell switch + led driver box IP66”
Pole mounting plate for the box.

NIGHT VISION RANGES AT ABSOLUTE DARKNESS

850 nm		940 nm	
20°	1000 m+	20°	500 m+
45°	700 m	45°	350 m
70°	400 m	70°	200 m
120°	200 m	120°	100 m

Above ranges are for 0,01 lux D/N cameras at absolute darkness. Ranges depend also on camera features and performance

DIMENSIONS



DESIGNED AND PRODUCED IN TURKIYE

